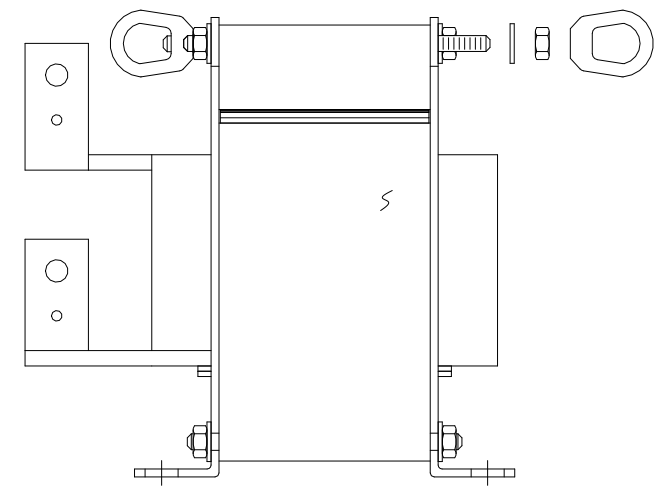
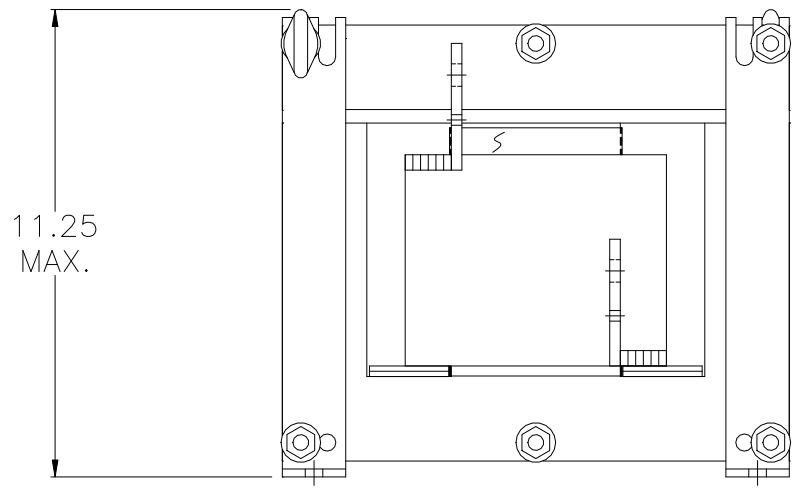
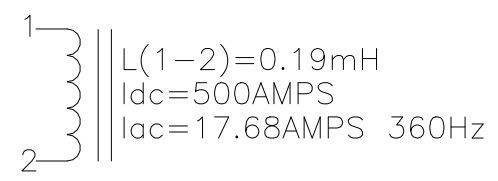
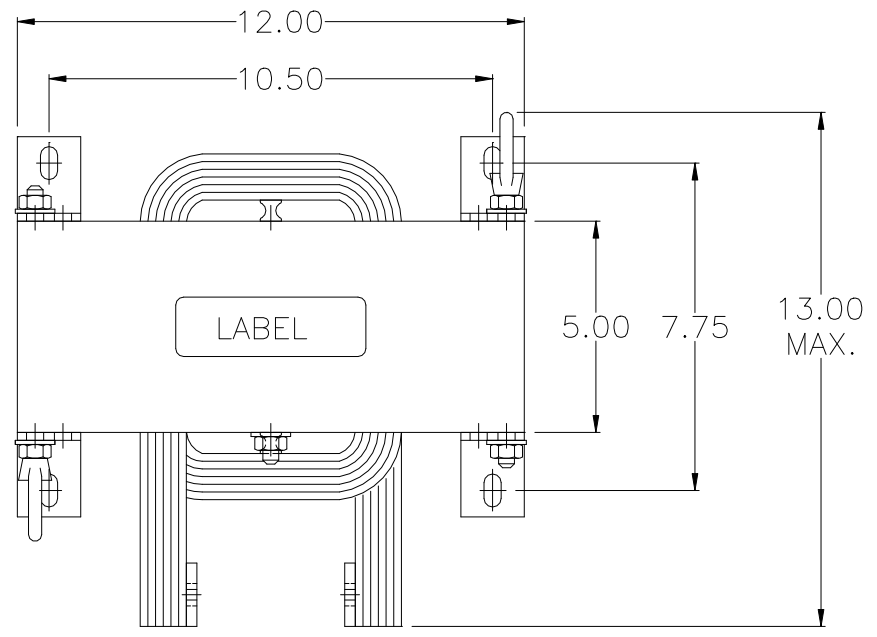


NO.	CHANGE DESCRIPTION	BY	DATE	C'K'D
01	ECN 3211 HEIGHT WAS 10.25"	CHL	09/06/00	
02	ECN #4025 WELD NOTE DELETED FROM PRINT	KPH	06/26/03	
03	ECN #5305 CHGD. LUG; LAM.; ADDED 0.320 MIL GAP	GX	01/11/07	



UNLESS OTHERWISE SPECIFIED, DIMENSIONS ARE IN INCHES [mm] AND TOLERANCES ARE:

DECI.  $\pm 0.030$       FRAC.  $\pm 1/8$   
 ANGLES  $\pm 1^\circ$       DRILLED HOLES  $\pm 0.010$

PART NAME: DC LINK REACTOR  
 DESCRIPTION: ASSEMBLY  
 FINISH: SPSDOC EF1FIN1 & SPF003

MTE CORPORATION MENOMONEE FALLS, WISCONSIN AN SL INDUSTRIES COMPANY			
500RB004			REV. 03
SCALE	NTS	DATE 05/03/99	C'K'D
REF.	DR. BY	CHL	APP'D